



Explore a
New Generation of
Swing Sets



2010 Volume I
Lifetime Warranty (see warranty for details)

Authorized Distributor



Corporate Headquarters, Canton, Georgia

Dear Parents,

Thank you for considering PlayNation Play Systems, Inc. We have designed and created wooden swing sets with your child's safety foremost in our minds. We use only the best materials and products available when we create your new swing set. Our finest designs and ideas are exhibited in these play systems. We know you will think so too. I invite you to leave your inhibitions behind, become a kid again and explore the world of PlayNation.

Sincerely,

A handwritten signature in black ink, appearing to read "Jeff Robertson".

Jeff Robertson
President



Factory Showroom, Marietta, Georgia

Copyright © 2010 PlayNation Play Systems, Inc. All rights reserved.

Table of Contents

Features

iii-vi

Ready To Assemble

Mystic Series

Passage	1-2
Ella's Castle	3-4
Russet Ridge	5-6
Dane's Den	7-8
Charleston	9-10
Ranger	11-12
Ranger Deluxe	13-14
Ranger III	15-16
Acadia	17-18
Grand Summit I	19-20
Grand Summit II	21-22

Ready to Assemble units are not customizable and include a 10 year warranty. See warranty on page 73 for details.

Lifetime Systems

Enchanted Series

Palace	23-24
Royal Palace Space Saver	25-26
Royal Palace	27-28
Tahoe Space Saver	29-30
Tahoe	31-32
Kingdom	33-34
Tahoe Deluxe	35-36

Dreamer Series

Mountain Chalet	37-38
Chases Retreat	39-40
Royal Crusoe's Treehouse	41-42
Colossal Kingdom	43-44
Kingdom Deluxe	45-46
Mountain Lodge	47-48

Majestic Series

Mountain Lodge Deluxe	49-50
Colossal Kingdom Deluxe	51-52
Hunter's Hideaway	53-54
Hunter's Deluxe	55-56
Abby's Palace	57-58

Lifetime Systems are customizable and include a lifetime warranty. See warranty on page 73 for details.

Free Standing Additions	59-61
Swing Set Add Ons	62-63
Swing Set Accessories	64-68
Custom Tarps	69-70
Slides	71-72
Warranty and Performance	73-74
Commercial Playgrounds	75-76



Premium Wooden Swing Sets

Quality Lumber

At PlayNation we use only the finest hand selected lumber available. Our lumber comes from "Certified" forests which have been approved to be harvested and replanted so that these resources remain sustainable. When you choose a swing set made by PlayNation, not only can you be certain that our lumber is strong, durable, and conforms to all national standards for use in children's play equipment, but you can also be confident that you are making an environmentally sensible, and "green" choice.

PlayNation Lifetime Play Systems

Our PlayNation Lifetime Systems can be ordered with your choice of either Premium Preserved Southern Yellow Pine or California Redwood with Western Red Cedar.

Our Premium Preserved Pine is grown and milled in the U.S.A. It is double kiln dried to minimize shrinkage, warping, and cupping. We then protect it with the latest and safest wood preservative available to shield against termite attack and fungal decay - all while remaining clean, odorless, non-staining, and non-irritating to humans, animals, or plants. Our Premium Preserved Pine can withstand harsh weather conditions with minimal maintenance, making it a great choice for lumber built swing sets.

Our Beautiful California Redwood with Western Red Cedar swing sets are a natural alternative to preserved lumber. Both species naturally resist rot and decay caused by the environment or by termite infestation.

Mystic Series Play Systems

All of our Mystic Series Play Systems are made with Cedar. Similar to redwood, Cedar is naturally resistant to rot, decay, and insect damage - all while offering an affordable, naturally resistant option in backyard fun. All Cedar Play Systems receive a factory applied stain/sealant to protect the lumber. Some of our Mystic Series Play Systems feature our maintenance-free Timber Shield protective poly coating. These attractive, splinter-free, treated fir timbers are coated with a thick, green, polyethylene casing that shields the wood from the weather, making them virtually maintenance free.

CHOICES!

With PlayNation's Lifetime Play Systems, you are offered more choices than any other swing set company, especially when it comes to lumber, stain, and sealant options.

Premium Preserved Pine

All of our pine swing sets can be ordered unstained or with a factory applied Amber Stain/Sealant.

- Amber Stain/Sealant ~ This popular combination provides extra protection from discoloration, sun exposure, and water absorption - all while displaying a beautiful amber finish.
- Unstained/Un-sealed ~ If you have to meet certain color choice requirements to satisfy a Home Owners Association, or if you want to choose a color to match your home or deck, you can order any of our pine units unstained.

California Redwood with Western Red Cedar

All of our California Redwood with Western Red Cedar swing sets receive a factory applied Redwood Stain/Sealant. This beautiful finish provides the necessary and specific protection that redwood requires. To maintain this attractive appearance, it is recommended that you seal your Redwood and Western Red Cedar swing set once per year.



Pine with
Amber Stain/Sealant



Unstained Pine



Redwood and Cedar with
Redwood Stain/Sealant



Cedar with
Amber Stain/Sealant



Cedar with
Redwood Stain/Sealant

Features

Whether you choose an "all inclusive boxed set" made from our popular Cedar lumber, which comes "pre loaded" with fantastic play features and carries a 10 year warranty,* or you choose a "Custom" designed Lifetime play system that carries a lifetime warranty*, all of our swing sets have features that are unmatched in the industry.

Heavy Duty Lumber

PlayNation uses 4" x 6" swing beams and 4" x 4" main fort supports on every swing set that we sell. This ensures that you receive the safest and strongest swing sets on the market.

Heavy Duty Hardware

Our rock-solid iron swing hangers are bolted completely through our swing beams with locking carriage bolts, while main fort supports use heavy duty bolt and lag screw construction. Decks, wall slats, and wood roofs all use commercial grade zinc coated deck screws. Nails that can work loose are never used in the construction of our swing sets.

Safest Play Features

From 800 lb test strength swing chains that are coated in a grippy, pinch free vinyl coating, to wide and flat ladder steps, to strategically placed safety handles, our sets put safety first! All of our lumber is double sanded with rounded edges, and our hardware is recessed to prevent snags and scratches. You won't find conflicting play zones or common trip hazards on our swing sets.



* see complete warranty on page 73.

What Makes Us Different?

Quality

All of our lumber is hand selected for unyielding strength, durability, and beauty. Our Southern Yellow Pine is heavy, strong, and preserved using the safest methods available. Our California Redwood with Western Red Cedar and our all Cedar play sets are naturally resistant to rot and decay. Our hardware consists of oversized bolts and heavy lag screws that are electro-galvanized to prevent corrosion. Our slides, swing components, and accessories are made with the best materials.

Stability

Huge 4" x 6" swing beams and 4" x 4" main fort posts are standard on all swing sets while Lifetime Systems have additional lumber including a unique 4" x 4" undercarriage and heavier hardware. All of our Lifetime Systems handle additional weight and do not need to be anchored into the ground. Our Southern Yellow Pine Lifetime Systems are the heaviest units on the market.

Safety

All wood edges are rounded and the surfaces are sanded smooth. We do this to avoid sharp edges and reduce splintering. Our ladder steps provide safe footing for even the tiniest of feet, while countersunk bolt holes, and unique push on bolt caps assure you of an extremely safe structure. Nails are never used in the construction of our swing sets, nor do we use dangling ropes or rope swings that can lead to serious injury. We use 800 lb. test swing chains that are vinyl dipped to provide a better grip while keeping little fingers and long hair from getting pinched or caught in the chain. Conflicting play zones such as monkey bars over swings are dangerous and are never used on PlayNation swing sets.

Beauty

All of our swing sets are innovative, well-made, and attractive designs that will compliment any backyard. Our all inclusive, ready to assemble units are designed with components and accessories that are sure to be a hit, while our Lifetime Systems are completely customizable. From lumber and stain choices, to fun and challenging add on's, to accessories that include bright primary colors or subdued natural tones...it's all up to you! Lifetime Systems allow you to add that personal touch and make it unique to your family.

Custom Made (Lifetime Systems only)

- * Our Lifetime Systems offer you the most flexibility in the industry.
- * Each system is made to order and custom built to suit your family's needs and situation.
- * To meet the challenges of a growing family, Lifetime Systems can be added on to or further customized.
- * Lifetime Systems can be disassembled and moved as needed.
- * Lifetime Systems hold significant resale value.
- * If you can dream it, PlayNation can build it!

Passage™ All Inclusive

Often the smallest touches make the biggest impact. With features found on much larger sets, the Passage may just be the right size for your little ones.

Features Include

- Platform ~ 4' X 4'
- Platform Height ~ 4'
- Safe Entry Ladder
- Rock Wall with Climbing Rope
- Wave Slide
- Heavy Duty Vinyl Canopy
- Swing Beam Positions ~ 2
- Belt Swings ~ 2
- Trapeze Arm with Trapeze Swing ~ 1
- Sandbox
- Steering Wheel, Telescope, Flag Kit, and Safety Handles
- Patented One Piece A-Frame Bracket
- Available in Cedar with Beautiful Amber Finish

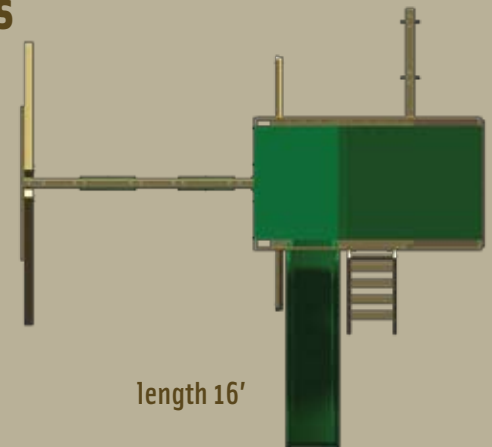


DIMENSIONS

height 10' 6"

width 14'

length 16'





Also Available with all Green Accessories

Ella's Castle™ All Inclusive

Ella's Castle is a full featured swing set loaded with plenty of activities! From the deluxe tire swing and swing belts with plastisol coated chains, to the steel climbing rungs and metal safety handles - the Ella's Castle will keep them coming back for more.

Features Include

- Platform ~ 4' X 5'
- Platform Height ~ 5'
- Large Entry Ladder with Powder Coated Metal Rungs
- Rock Wall with Climbing Rope
- Metal Access Handles ~ 4
- Extreme Wave Slide
- Heavy Duty Vinyl Canopy
- Swing Beam Positions ~ 3
- Belt Swings ~ 2
- Trapeze Swing ~ 1
- Deluxe Rope Ladder
- Turbo Tire Swing with Swivel
- Steering Wheel, Telescope, and Flag Kit
- Patented One Piece A-Frame Bracket
- Available in Cedar with Beautiful Redwood Finish

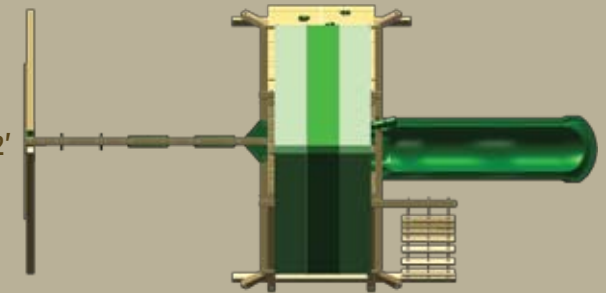


DIMENSIONS

height 11'

width 12'

length 23'





Russet Ridge™ All Inclusive

Imaginations will soar with the Russet Ridge in your backyard. This swing set was designed to keep kids busy, all while building strength and coordination.

Features Include

- Platform ~ 4' X 6'
- Platform Height ~ 5'
- Step Ladder and Metal Rung Ladder Combo
- Rock Wall with Climbing Rope
- Monkey Bars with Heavy Duty Metal Rungs
- Metal Access Handles ~ 6
- Extreme Wave Slide
- Heavy Duty Vinyl Canopy
- Swing Beam Positions ~ 3
- Belt Swings ~ 2
- Trapeze Swing ~ 1
- Deluxe Rope Ladder
- Turbo Tire Swing with Swivel
- Steering Wheel, Telescope, Tic Tac Toe Panel, and Flag Kit
- Patented One Piece A-Frame Bracket
- Available in Cedar with Beautiful Redwood Finish



Also Available without Monkey Bar Add On

DIMENSIONS

height 11'

width 12'



length 21'



Also Available with all Green Accessories

Dane's Den™ All Inclusive

Call it a natural attraction. From its impressive wooden roof to the play activities kids crave, the Dane's Den is sure to be a hit with the whole family.

Features Include

- Platform ~ 4' X 6'
- Platform Height ~ 5'
- Step Ladder and Metal Rung Ladder Combo
- Rock Wall with Climbing Rope
- Metal Access Handles ~ 4
- Extreme Wave Slide
- Sunburst Wood Roof with Dormers, Chimney, and Custom Scroll Work
- Swing Beam Positions ~ 3
- Belt Swings ~ 2
- Trapeze Swing ~ 1
- Deluxe Rope Ladder
- Turbo Tire Swing with Swivel
- Steering Wheel, Telescope, Tic Tac Toe Panel, and Flag Kit
- Patented One Piece A-Frame Bracket
- Available in Cedar with Beautiful Redwood Finish



Also Available with Monkey Bar Add On

DIMENSIONS

height 12'

width 12'

length 21'





Charleston™ All Inclusive

Sets hearts and minds racing! The Charleston is a fully loaded swing set with the addition of a well appointed clubhouse. Gets the kids out of the house and into their own.

Features Include

- Platform ~ 4' X 6'
- Platform Height ~ 5'
- Upper Level Clubhouse with Working Palladian Style Shutters
- Safe Entry Ladder
- Rock Wall with Climbing Rope
- Extreme Wave Slide
- Sunburst Wood Roof with Dormers, Chimney, and Mesh Covering
- Swing Beam Positions ~ 3
- Belt Swings ~ 2
- Trapeze Swing ~ 1
- Standard Rope Ladder
- Extended Built-in Picnic Table
- Sandbox Area with Lower Walls
- Steering Wheel, Telescope, Tic Tac Toe Panel, Flag Kit, and Safety Handles
- Timber Shield Protective Poly Coating on Main Beams
- Patented One Piece A-Frame Bracket
- Available in Cedar with Beautiful Amber Finish

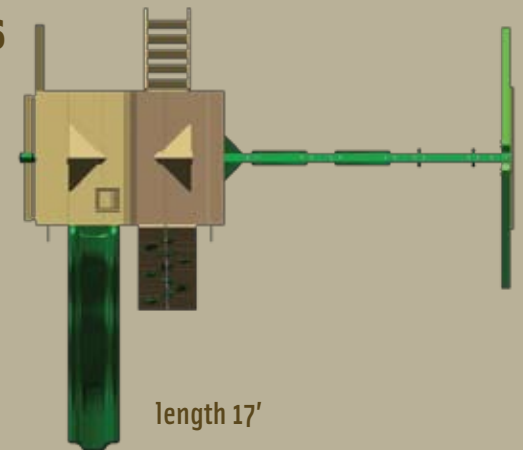


DIMENSIONS

height 12'

width 15'

length 17'





Ranger™ All Inclusive

For that rare combination of leisure and excitement, look no further than the Ranger. That's because we believe in maximizing your child's play activities. With features found on much larger swing sets, they'll never run out of things to do.

Features Include

- Platform ~ 4' X 6'
- Platform Height ~ 5'
- Safe Entry Ladder
- Rock Wall with Climbing Rope
- Extreme Wave Slide
- Heavy Duty Vinyl Canopy
- Swing Beam Positions ~ 3
- Belt Swings ~ 2
- Trapeze Swing ~ 1
- Standard Rope Ladder
- Built-in Picnic Table
- Sandbox
- Steering Wheel, Telescope, Flag Kit, and Safety Handles
- Timber Shield Protective Poly Coating on Main Beams
- Patented One Piece A-Frame Bracket
- Available in Cedar with Beautiful Amber Finish

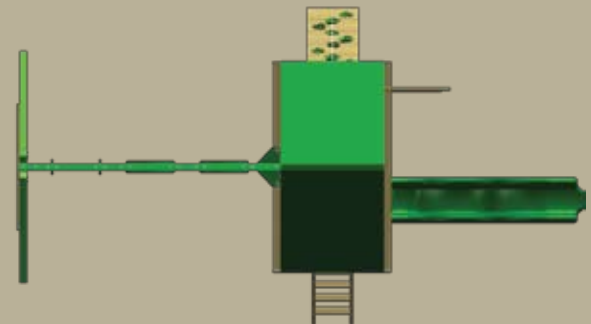


DIMENSIONS

height 11'

width 12'

length 22'





Ranger Deluxe™ All Inclusive

The Ranger Deluxe includes all of the great features of the Ranger plus a charming wood roof that includes sunbursts, dormers, and chimney.

Features Include

- Platform ~ 4' X 6'
- Platform Height ~ 5'
- Safe Entry Ladder
- Rock Wall with Climbing Rope
- Extreme Wave Slide
- Heavy Duty Tongue and Groove Wood Roof
- Roof Accents Include Sunbursts, Dormers, and a Chimney
- Swing Beam Positions ~ 3
- Belt Swings ~ 2
- Trapeze Swing ~ 1
- Standard Rope Ladder
- Built-in Picnic Table
- Sandbox
- Steering Wheel, Telescope, Flag Kit, and Safety Handles
- Timber Shield Protective Poly Coating on Main Beams
- Patented One Piece A-Frame Bracket
- Available in Cedar with Beautiful Amber Finish

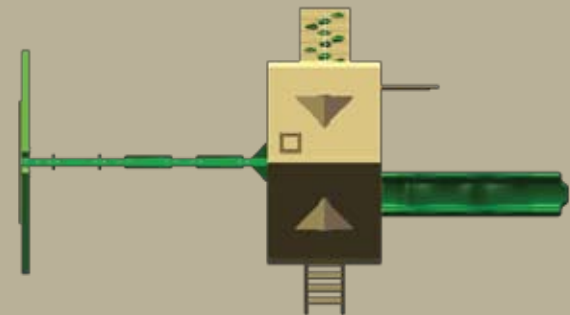


DIMENSIONS

height 11'

width 12'

length 22'





Ranger III™ All Inclusive

With the Ranger III your child's senses will soar to new levels. This unit includes everything found on the original Ranger, with the added dimension of a ramp and a Clatter Bridge and Tower. This magnificent set will allow your little ones to explore the world of imaginative backyard play.

Features Include

- Platform ~ 4' X 6'
- Platform Height ~ 5'
- Deluxe Climbing Ramp with Rope
- Clatter Bridge and Tower
- Rock Wall with Climbing Rope
- Extreme Wave Slide
- Heavy Duty Vinyl Canopy
- Swing Beam Positions ~ 3
- Belt Swings ~ 2
- Trapeze Swing ~ 1
- Standard Rope Ladder
- Built-in Picnic Table
- Sandbox
- Steering Wheel, Telescope, Flag Kit, and Safety Handles
- Timber Shield Protective Poly Coating on Main Beams
- Patented One Piece A-Frame Bracket
- Optional ~ Deluxe Wood Roof
- Available in Cedar with Beautiful Amber Finish

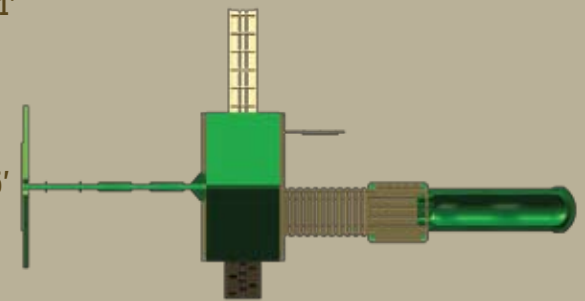


DIMENSIONS

height 11'

width 16'

length 31'





Add a Deluxe Wood Roof



Acadia™ All Inclusive

With the Acadia in your backyard, the fun never ends! From its generous fort size to the climbing ramp, to the turbo tire swing, the kids will stay active for hours.

Features Include

- Platform ~ 4' X 6'
- Platform Height ~ 5'
- Deluxe Climbing Ramp with Rope
- Rock Wall with Climbing Rope
- Extreme Wave Slide
- Sunburst Wood Roof with Dormers and Chimney
- Turbo Tire Swing with Swivel
- Swing Beam Positions ~ 3
- Belt Swings ~ 2
- Trapeze Swing ~ 1
- Standard Rope Ladder
- Built-in Picnic Table
- Sandbox
- Telescope, Tic Tac Toe Panel, Flag Kit, and Safety Handles
- Timber Shield Protective Poly Coating on Main Beams
- Patented One Piece A-Frame Bracket
- Available in Cedar with Beautiful Amber Finish

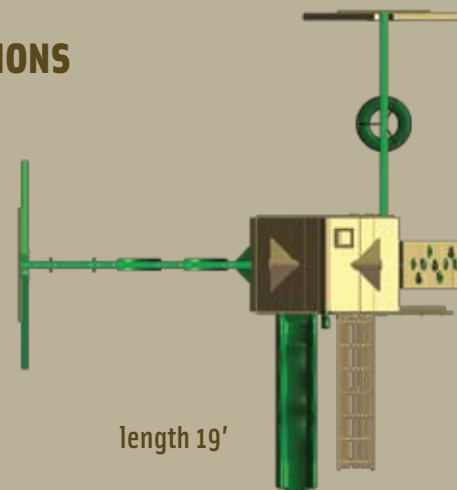


DIMENSIONS

height 11'

width 22'

length 19'





Grand Summit I™ All Inclusive

The Grand Summit I is loaded with so many play activities that your children's fantasies will take flight, keeping them occupied for many hours in the safety of their own backyard.

Features Include

- 1st Level Platform ~ 5' X 5' ~ Height 5'
- 2nd Level Platform ~ 2.5' X 5' ~ Height 7'
- Safe Entry Ladder
- Extreme Wave Slide
- Radical Ride Tube Slide
- Sunburst Wood Roof with Dormers and Chimney
- Swing Beam Positions ~ 3
- Belt Swings ~ 2
- Trapeze Swing ~ 1
- Glider Swing ~ 1
- Rock Wall with Climbing Rope
- Deluxe Rope Ladder
- Large Picnic Table
- Sandbox with Mesh Sandbox Cover
- Steering Wheel, Telescope, Flag Kit, and Safety Handles
- Tic Tac Toe Panel
- Timber Shield Protective Poly Coating on Main Beams
- Patented One Piece A-Frame Bracket
- Available in Cedar with Beautiful Amber Finish

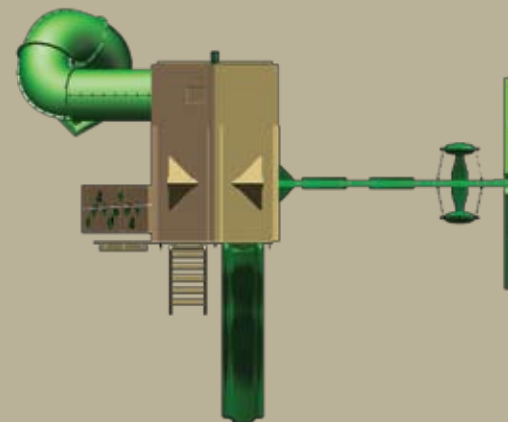


DIMENSIONS

height 13'

width 15'

length 21'





BONUS: Additional Belt Swing Assembly Included

Grand Summit II™ All Inclusive

Mystic Series

PLAYNATION

The Grand Summit II has all of the great features of the Grand Summit I plus a huge super scoop slide. Indulge! You deserve it.

Features Include

- 1st Level Platform ~ 5' X 5' ~ Height 5'
- 2nd Level Platform ~ 2.5' X 5' ~ Height 7'
- Safe Entry Ladder
- Extreme Wave Slide
- Radical Ride Tube Slide
- Super Scoop Slide
- Sunburst Wood Roof with Dormers and Chimney
- Swing Beam Positions ~ 3
- Belt Swings ~ 2
- Trapeze Swing ~ 1
- Glider Swing ~ 1 (Bonus Item)
- Rock Wall with Climbing Rope
- Deluxe Rope Ladder
- Large Picnic Table
- Sandbox with Mesh Sandbox Cover
- Steering Wheel, Telescope, Flag Kit, and Safety Handles
- Tic Tac Toe Panel
- Timber Shield Protective Poly Coating on Main Beams
- Patented One Piece A-Frame Bracket
- Available in Cedar with Beautiful Amber Finish

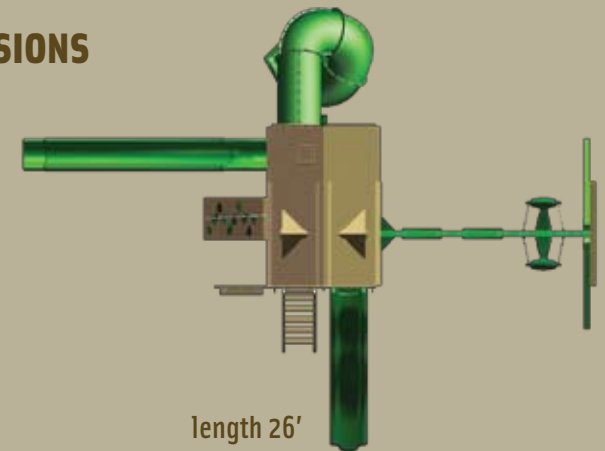


DIMENSIONS

height 13'

width 21'

length 26'





BONUS: Glider Swing Assembly Included

Palace™

Every backyard deserves a Palace like this one. Guaranteed to fulfill the expectations of princesses and knights alike. This swing set is sure to be an exciting addition to your kingdom.

Features Include

- Platform ~ 5' X 5'
- Platform Height ~ 5'
- Safe Entry Ladder with Metal Access Handles
- Extreme Wave Slide
- Heavy Duty Vinyl Canopy
- Deluxe Rope Ladder
- Swing Beam Positions ~ 3
- Belt Swings ~ 2
- Trapeze Swing ~ 1
- Sandbox
- Flag Kit
- Steering Wheel, Telescope, and Dinner Bell

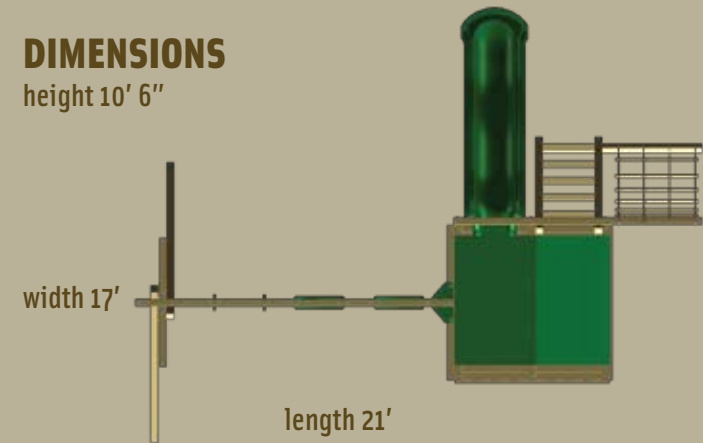


DIMENSIONS

height 10' 6"

width 17'

length 21'





Shown In: Premium Redwood and Cedar with Redwood Stain/Sealant

Royal Palace Space Saver™

This swing set was built with your little princes and princesses in mind. Perfect for royal gatherings of the court. This unit is a great space saver filled with ballroom dreams and knight fantasies. With over 6' of headroom, Mom and Dad can join in the fun. The perfect unit for small yards.

Features Include

- Platform ~ 6' X 6'
- Platform Height ~ 5'
- Safe Entry Ladder with Metal Access Handles
- Extreme Wave Slide
- Heavy Duty Vinyl Canopy
- Extended Height Roof
- Swing Beam Positions ~ 2
- Belt Swings ~ 1
- Trapeze Swing ~ 1
- Turbo Tire Swing with Swivel
- Sandbox
- Flag Kit
- Steering Wheel and Telescope

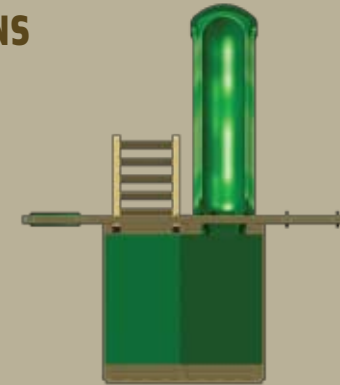


DIMENSIONS

height 11' 6"

width 14'

length 12'





Shown In: Premium Preserved Pine with Amber Stain/Sealant

Royal Palace™

Enchanted Series

Fit for the future kings and queens in your family. Perfect for tea parties and other events of royal proportions. The Royal Palace is also very modular and can be added onto as the children grow. Plenty of space for Mom and Dad too!

Features Include

- Platform ~ 6' X 6'
- Platform Height ~ 5'
- Safe Entry Ladder with Metal Access Handles
- Extreme Wave Slide
- Heavy Duty Vinyl Canopy
- Extended Height Roof
- Deluxe Rope Ladder
- Swing Beam Positions ~ 3
- Belt Swings ~ 2
- Trapeze Swing ~ 1
- Turbo Tire Swing with Swivel
- Sandbox
- Flag Kit
- Steering Wheel, Telescope, and Dinner Bell

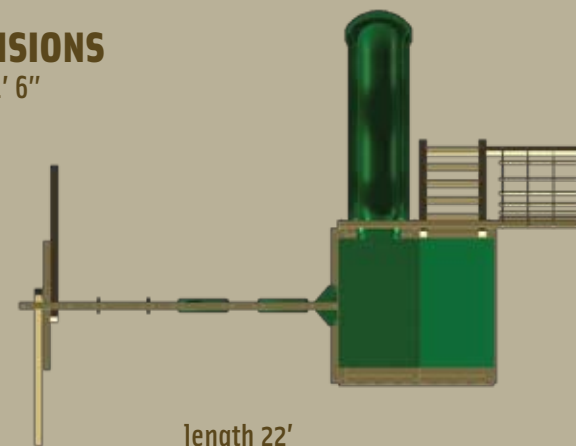


DIMENSIONS

height 11' 6"

width 17'

length 22'





Shown In: Premium Preserved Pine with Amber Stain/Sealant

Tahoe Space Saver™

Designed to maximize play value in smaller yards, the Tahoe Space Saver is a sturdy and handsome swing set that is as attractive to look at as it is fun to play on. With an enchanting wood roof and large play deck, this unit provides plenty of entertainment while taking up a small footprint in your yard.

Features Include

- Platform ~ 6' X 6'
- Platform Height ~ 5'
- Safe Entry Ladder with Metal Access Handles
- Super Scoop Slide
- Heavy Duty Tongue and Groove Wood Roof
- Roof Accents include Sunbursts, Chimney, and Dormers
- Swing Positions ~ 2
- Belt Swings ~ 1
- Trapeze Swing ~ 1
- Turbo Tire Swing with Swivel
- Sandbox
- Steering Wheel and Telescope
- Flag Kit

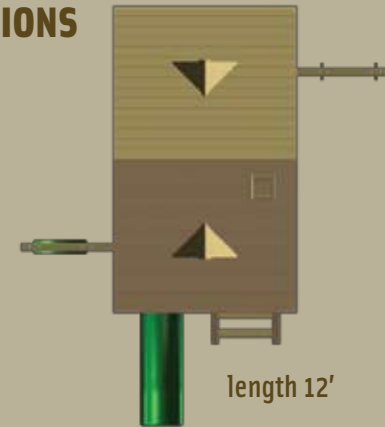


DIMENSIONS

height 12'

width 16'

length 12'





Also Available with Heavy Duty Vinyl Canopy



Shown In: Premium Redwood and Cedar with Redwood Stain/Sealant

Tahoe™

Need a vacation? If so, then the Tahoe is your destination. This incredible set will provide children with plenty of activities to keep them busy, and parents happy. The large fort size can accommodate several children while the added trapeze arm and tire swing offer even more play space.

Features Include

- Platform ~ 6' X 6'
- Platform Height ~ 5'
- Safe Entry Ladder with Metal Access Handles
- Super Scoop Slide
- Heavy Duty Vinyl Canopy
- Swing Beam Positions ~ 3
- Trapeze Arm ~ 1
- Belt Swings ~ 3
- Trapeze Swing ~ 1
- Turbo Tire Swing with Swivel
- Deluxe Rope Ladder
- Flag Kit
- Steering Wheel, Telescope, and Dinner Bell

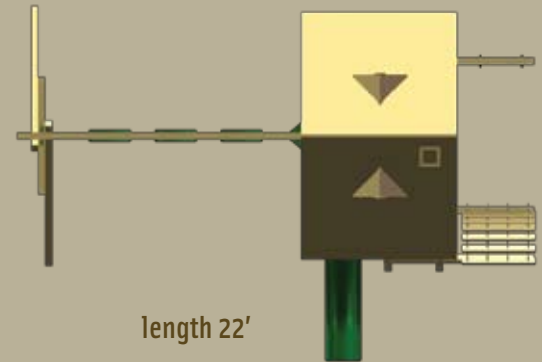


DIMENSIONS

height 12'

width 17'

length 22'





Also Available with Deluxe Wood Roof

Shown In: Premium Preserved Pine with Amber Stain/Sealant

Kingdom™

Enchanted Series

Discover the magic of our Kingdom. Here, your children will quickly become Princes or Princesses, Knights or Rulers, Captains or Pirates. Their imaginations will take over and the fun will begin. It's time to play!

Features Include

- Platform ~ 4' X 5'
- Platform Height ~ 5'
- Safe Entry Ladder with Metal Access Handles
- Super Scoop Slide
- Heavy Duty Vinyl Canopy
- Swing Beam Positions ~ 3
- Belt Swings ~ 2
- Trapeze Swing ~ 1
- Turbo Tire Swing with Swivel
- Deluxe Rope Ladder
- 5' Rock Wall with Metal Access Handles
- Tic Tac Toe Panel
- Flag Kit
- Steering Wheel, Telescope, and Dinner Bell



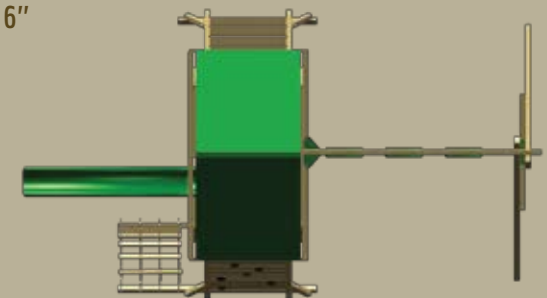
Optional Safety Panel to Close Off One End

DIMENSIONS

height 10' 6"

width 12'

length 24'





Also Available with Deluxe Wood Roof



Shown In: Premium Redwood and Cedar with Redwood Stain/Sealant

Tahoe Deluxe™

Adventure calls!! This wonderful and well designed swing set is perfect for families with children of various ages. A 3' high lower deck with rock wall is just right for the little ones while the 5' high upper deck will provide plenty of challenge and fun for the older kids.

Features Include

- 1st Level Platform ~ 3' X 6'
- 1st Level Platform Height ~ 3'
- 2nd Level Platform ~ 6' X 6'
- 2nd Level Platform Height ~ 5'
- Safe Entry Ladders with Metal Access Handles
- Super Scoop Slide
- Heavy Duty Vinyl Canopy
- Swing Beam Positions ~ 3
- Trapeze Arm ~ 1
- Belt Swings ~ 3
- Trapeze Swing ~ 1
- Deluxe Rope Ladder
- 3' Rock Wall
- Turbo Tire Swing with Swivel
- Sandbox
- Flag Kit
- Steering Wheel, Telescope, and Dinner Bell

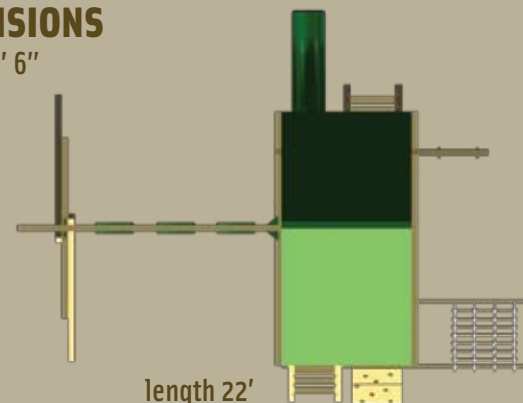


DIMENSIONS

height 11' 6"

width 19'

length 22'





Shown In: Premium Redwood and Cedar with Redwood Stain/Sealant

Mountain Chalet™

More than just a playhouse, this cozy little cabin is a full featured swing set! When they're not hosting tea parties, or games of hide and seek, kids will be enjoying all this set has to offer. Throw in a bunch of deluxe standard features, and you may not see them for hours!

Features Include

- Platform ~ 6' X 6' ~ Height 5'
- Safe Entry Ladder with Metal Access Handles
- Super Scoop Wave Slide
- Heavy Duty Tongue and Groove Wood Roof
- Roof Accents Include Sunbursts, Dormers, and a Chimney
- Extended Height Roof
- Swing Beam Positions ~ 3
- Belt Swings ~ 2
- Trapeze Swing ~ 1
- Clubhouse with Window Accents, and Door
- Porch
- Deluxe Rope Ladder
- Turbo Tire Swing with Swivel
- Sandbox
- Flag Kit
- Steering Wheel, Telescope, and Dinner Bell

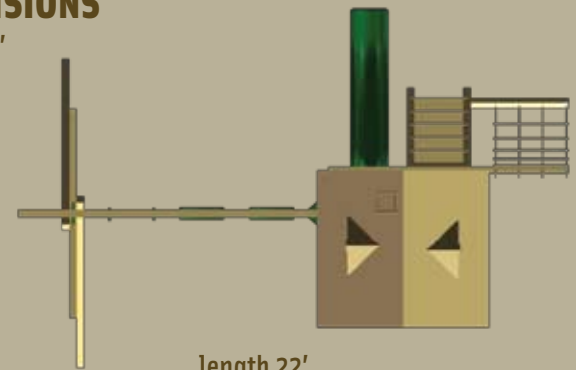


DIMENSIONS

height 14'

width 17'

length 22'





Shown In: Premium Preserved Pine with Amber Stain/Sealant

Chase's Retreat™

Climb onto a whole new world of fun! Loaded with play features to keep them busy by day - yet roomy enough for sleeping bags and a lantern at night. This is one swing set that blends excitement with leisure.

Features Include

- Platform ~ 8' X 8'
- Platform Height ~ 5'
- Safe Entry Ladder with Metal Access Handles
- Super Scoop Wave Slides ~ 2
- Heavy Duty Vinyl Canopy
- Swing Beam Positions ~ 3
- Belt Swings ~ 2
- Trapeze Swing ~ 1
- Deluxe Rope Ladder
- Turbo Tire Swing with Swivel
- Deep Sandbox Upgrade Package
- Flag Kit
- Steering Wheel, Telescope, and Dinner Bell

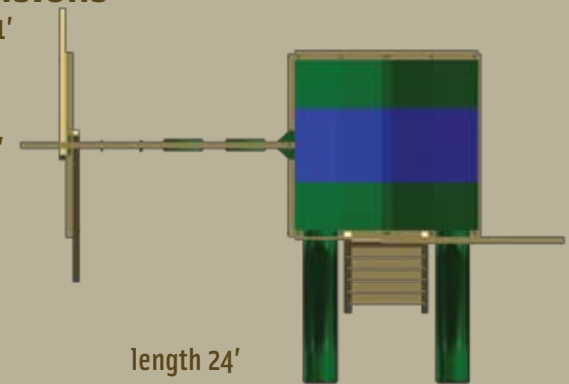


DIMENSIONS

height 11'

width 17'

length 24'





Shown In: Premium Preserved Pine

Royal Crusoe's Treehouse™

From scaling a rope ladder, to sliding down a tube slide, the Royal Crusoe's Treehouse has everything a kid desires. Kids can eat lunch on their own picnic table and swing on the tire swing. Of course, the parents are welcome to join in on the fun too!

Features Include

- 1st Level Platform ~ 6' X 6' ~ Height 5'
- 2nd Level Platform ~ 3' X 6' ~ Height 7'
- Safe Entry Ladder with Metal Access Handles
- Super Scoop Slide
- Super Tube Slide
- Heavy Duty Vinyl Canopies
- Extended Height Roof
- Swing Beam Positions ~ 3
- Belt Swings ~ 2
- Trapeze Swing ~ 1
- Turbo Tire Swing with Swivel
- Deluxe Rope Ladder
- Built-In Picnic Table
- Sandbox
- Flag Kit
- Steering Wheel, Telescope, and Dinner Bell

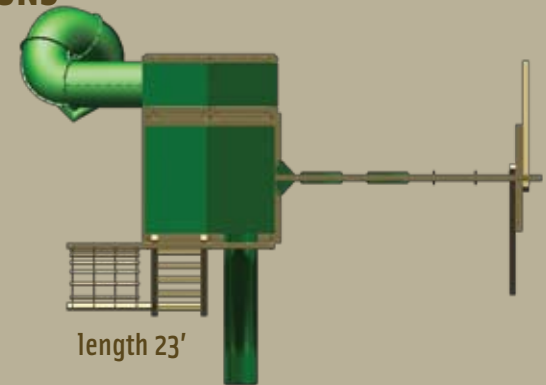


DIMENSIONS

height 13' 6"

width 20'

length 23'





Also Available with Deluxe Wood Roofs

Shown In: Premium Preserved Pine with Amber Stain/Sealant

Colossal Kingdom™

You may have to charge admission as all the kids in the neighborhood will want to play on this monster swing set! From its extended height swing beam and extra large play deck, to the huge rock wall, this swing set begs to be climbed on.

Features Include

- Platform ~ 5' X 7' ~ Height 6'
- Safe Entry Ladder with Metal Access Handles
- Super Scoop Slide
- Heavy Duty Vinyl Canopy
- Extended Height Swing Beam
- Heavy Duty 4" x 6" Swing Legs
- Swing Beam Positions ~ 3
- Belt Swings ~ 3
- Trapeze Arm with Trapeze Swing
- Turbo Tire Swing with Swivel
- Tic Tac Toe Panel
- Flag Kit
- Steering Wheel, Telescope, and Dinner Bell



Also Available with Deluxe Wood Roof



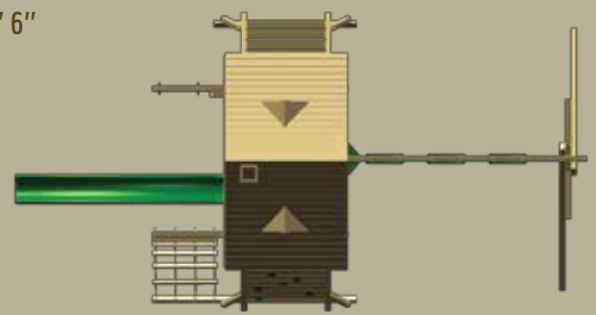
Optional Safety Panel to Close Off One End

DIMENSIONS

height 13' 6"

width 14'

length 27'





Shown In: Premium Preserved Pine with Amber Stain/Sealant

Kingdom Deluxe™

The Kingdom Deluxe will surely raise the excitement level of your little ones as they take command from high atop the Lookout Tower. Quick getaways will be no problem with the huge scoop slide, while monkey bars will be certain to add strength and coordination as they play!

Features Include

- 1st Level Platform ~ 4' X 5' ~ Height 5'
- 2nd Level Platform ~ 2' X 4' ~ Height 7'
- Safe Entry Ladder with Metal Access Handles
- Huge 4" x 6" Monkey Bars with Metal Rungs
- Lookout Tower
- Super Scoop Slide
- Heavy Duty Vinyl Canopies
- Swing Beam Positions ~ 3
- Belt Swings ~ 2
- Trapeze Swing ~ 1
- Turbo Tire Swing with Swivel
- Deluxe Rope Ladder
- 5' Rock Wall with Metal Access Handles
- Tic-Tac-Toe Panel and Flag Kit
- Steering Wheel, Telescope, and Dinner Bell



Optional Safety Panel to Close Off One End

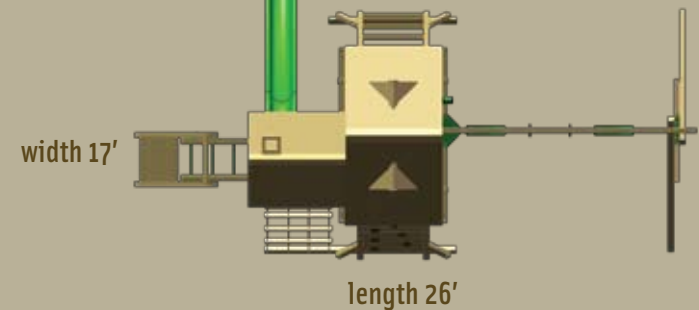


Shown In: Premium Preserved Pine with Amber Stain/Sealant

Also Available with Deluxe Wood Roofs

DIMENSIONS

height 12' 6"





Shown In: Premium Redwood and Cedar with Redwood Stain/Sealant

Mountain Lodge™

The Mountain Lodge feels like an extension of your home. With room for all, your kids will experience endless fun in this well appointed lodge. The fun doesn't stop there, as plenty of outside activities are sure to keep them physically and mentally stimulated.

Features Include

- Platform ~ 6' X 8' ~ Height 5'
- Safe Entry Ladder with Metal Access Handles
- Super Scoop Wave Slide
- Heavy Duty Tongue and Groove Wood Roof
- Extended Height Roof
- Roof Accents Include Sunbursts, Dormers, and a Chimney
- Swing Beam Positions ~ 3
- Belt Swings ~ 2
- Trapeze Swing ~ 1
- Clubhouse with Window Accents and Door
- Porch
- Deluxe Rope Ladder
- Turbo Tire Swing with Swivel
- Sandbox
- Flag Kit
- Steering Wheel, Telescope, and Dinner Bell

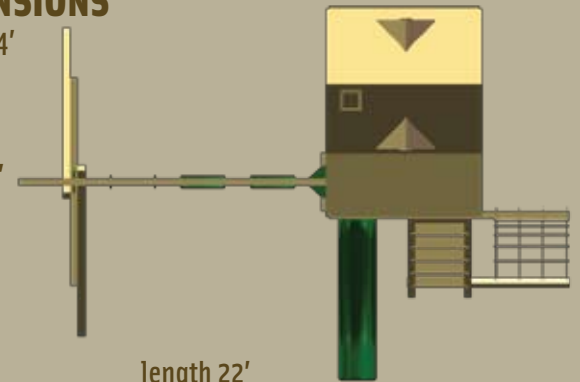


DIMENSIONS

height 14'

width 17'

length 22'





Shown In: Premium Preserved Pine with Amber Stain/Sealant

Mountain Lodge Deluxe™

Majestic Series

You can't have too much of a good thing! Our Mountain Lodge Deluxe adds extra excitement, and extra room, with a second level play deck and huge Super Tube Slide. All the attention to detail make this one tough eye catching act to follow!

Features Include

- 1st Level Platform ~ 6' X 8' ~ Height 5'
- 2nd Level Platform ~ 3' X 6' ~ Height 7'
- Safe Entry Ladder with Metal Access Handles
- Super Scoop Wave Slide
- Super Tube Slide
- Heavy Duty Tongue and Groove Wood Roof
- Roof Accents Include Sunbursts, Dormers, and a Chimney
- Swing Beam Positions ~ 3
- Belt Swings ~ 2
- Trapeze Swing ~ 1
- Clubhouse with Window Accents and Door
- Built-in Picnic Table
- Turbo Tire Swing with Swivel
- Sandbox
- Flag Kit
- Steering Wheel, Telescope, and Dinner Bell
- Personalized Name Plate

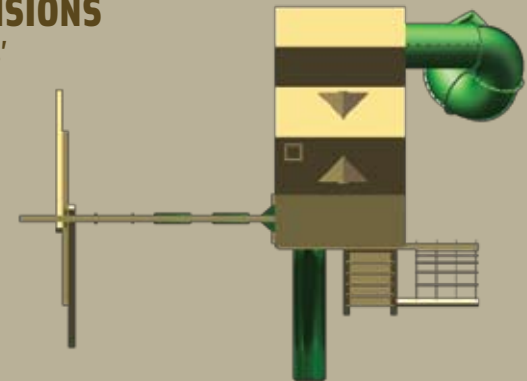


DIMENSIONS

height 14'

width 23'

length 23'





Includes Personalized Name Plate



Shown In: Premium Preserved Pine with Amber Stain/Sealant

Colossal Kingdom Deluxe™

Majestic Series

PLAYNATION

We've taken our popular Colossal Kingdom to a whole new level with the addition of a spacious Sky Loft. Here, your little ones can rule the whole planet - or just the backyard. Add in some mammoth sized monkey bars, and the strength and coordination meter goes off the charts!

Features Include

- 1st Level Platform ~ 5' X 7' ~ Height 6'
- 2nd Level Platform ~ 3' X 5' ~ Height 8'
- Safe Entry Ladder with Metal Access Handles
- Giant 4" x 6" Monkey Bars with Metal Rungs
- Spacious Sky Loft
- Super Scoop Slide
- Heavy Duty Tongue and Groove Wood Roofs
- Roof Accents Include Sunbursts, Dormers, and a Chimney
- Extended Height Swing Beam with 4"x 6" Legs
- Belt Swings ~ 3
- Trapeze Arm with Trapeze Swing
- Turbo Tire Swing with Swivel
- Deluxe Rope Ladder
- Mammoth 6' Rock Wall
- Tic-Tac-Toe Panel, Flag Kit, and Sandbox
- Steering Wheel, Telescope, Punching Bag, and Dinner Bell
- Personalized Name Plate
- Optional ~ Safety Panel to close off one end



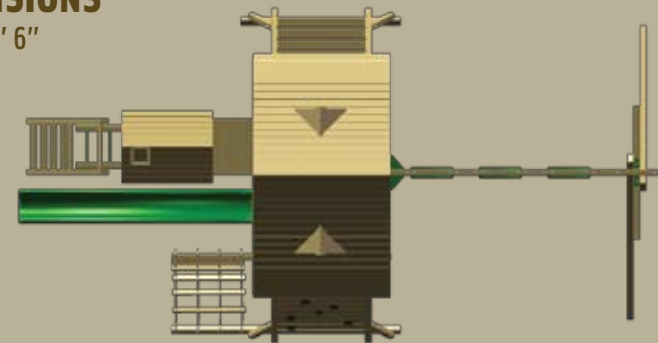
Optional Safety Panel

DIMENSIONS

height 14' 6"

width 14'

length 27'





Also Available with Heavy Duty Vinyl Canopy



Includes Personalized Name Plate

Shown In: Premium Preserved Pine with Amber Stain/Sealant

Hunter's Hideaway™

Majestic Series

Less work, more play!! Named after the founder's son, "Hunter", this system has it all. It has tons of play space and so many items on it that it will keep your kids busy for hours. The Hunter's Hideaway is designed to create endless fun and imagination for the whole family.

Features Include

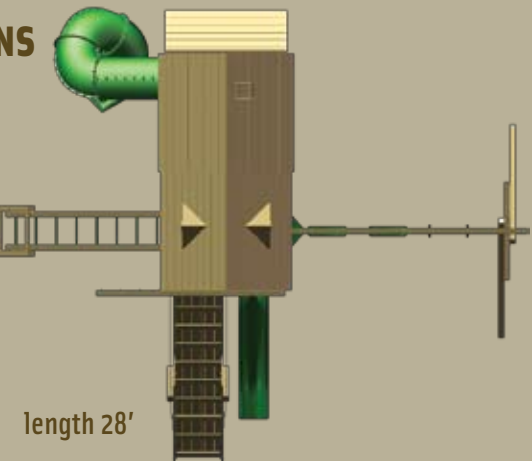
- 1st Level Platform ~ 6' X 6' ~ Height 5'
- 2nd Level Platform ~ 6' X 6' ~ Height 7'
- Super Scoop Slide
- Super Tube Slide
- Heavy Duty Tongue and Groove Wood Roofs
- Roof Accents include Sunbursts, Chimney, and Dormers
- Swing Beam Positions ~ 3
- Belt Swings ~ 2, Trapeze Swing ~ 1
- Turbo Tire Swing with Swivel
- Deluxe Rope Ladder
- Deluxe Climbing Ramp with Metal Access Handles
- Deluxe Monkey Bars with Metal Rungs
- Clubhouse with Floor, Door, and Window Accents
- Porch
- Sandbox
- Flag Kit and Tic Tac Toe Panel
- Steering Wheel, Telescope, Safety Handles, and Dinner Bell
- Personalized Name Plate



DIMENSIONS

height 13' 6"

width 24'



length 28'



Includes Personalized Name Plate



Shown In: Premium Preserved Pine with Amber Stain/Sealant

Hunter's Deluxe™

If the Hunter's Hideaway isn't big enough for you, than the Hunter's Deluxe should surely fit your needs. With the addition of a clatter bridge and tower, huge monkey bars, and a spacious sky loft, this set is perfect for large families or the whole neighborhood!

Features Include

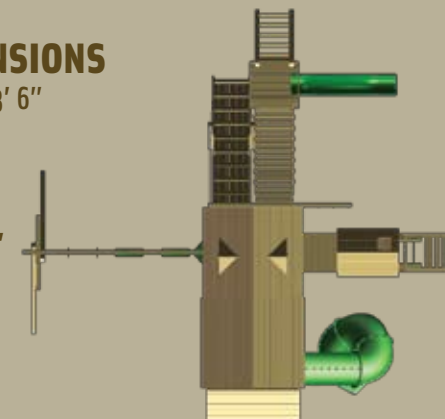
- 1st Level Platform ~ 6' X 6' ~ Height 5'
- 2nd Level Platform ~ 6' X 6' ~ Height 7'
- Spacious Sky Loft ~ 3' X 5' ~ Height 7'
- Giant Monkey Bars with Metal Rungs
- Safe Entry Ladder with Metal Access Handles
- Clatter Bridge and Tower
- Super Scoop Slide
- Super Tube Slide
- Heavy Duty Tongue and Groove Wood Roofs
- Roof Accents Include Sunbursts, Dormers, and a Chimney
- Swing Beam Positions ~ 3
- Belt Swings ~ 2, Trapeze Swing ~ 1
- Turbo Tire Swing with Swivel
- Deluxe Rope Ladder and Deluxe Climbing Ramp
- Clubhouse with Floor, Door, and Window Accents
- Sandbox and Porch
- Tic Tac Toe Panel
- Steering Wheel, Telescope, Flag Kit, and Dinner Bell
- Personalized Name Plate



DIMENSIONS

height 13' 6"

width 26'



length 30'



Includes Personalized Name Plate



Shown In: Premium Preserved Pine with Amber Stain/Sealant

Abby's Palace™

Majestic Series

When was the last time you had this much fun!! Abby's Palace was designed for big families and big yards. With over 130 square feet of play decks, 4 slides, and tons of activities, there is no doubt that this swing set will bring the family together creating wonderful memories for years to come. You'll have the biggest play system on your block!

Features Include

- Several Multi Level Platforms
- Over 130 Square Feet of Play Decks!
- Safe Entry Ladder with Metal Access Handles
- Heavy Duty Tongue and Groove Wood Roofs
- Roof Accents Include Sunbursts, Dormers, and a Chimney
- Clubhouse with Window Accents and Door
- Deluxe Climbing Ramp and Rope Ladder
- Super Scoop Slide
- Super Scoop Wave Slide
- Super Scoop Slide
- Super Tube Slide
- Belt Swings ~ 2, Trapeze Swing ~ 1
- 2 Picnic Tables and 2 Sandboxes
- 2 Turbo Tire Swings with Swivels
- Steering Wheel, 2 Telescopes, and Periscope
- Dinner Bell, Flag Kit, and Flower Box
- Personalized Name Plate



DIMENSIONS

height 14' 6"

width 20'

length 37'





Includes Personalized Name Plate



Shown In: Premium Preserved Pine with Amber Stain/Sealant

Free Standing Additions

1 Breckenridge Playhouse™

Your children will spend hours playing in this wonderful playhouse. It is constructed of wood that is naturally resistant to rot, decay and insect damage. Available in Amber Stained Cedar only.

Features Include

- Dimensions 83" x 82" x 80"
- Factory Stained and Sealed
- No Painting, Staining or Roofing Required
- Includes Weather Resistant Polycarbonate Roof
- Panelized for Quick Assembly
- Flower Box
- Fully Functional Windows
- Front Porch
- Gable Vents with Screens
- All Hardware Included



2 See-Saw

Children love to spend hours with friends or siblings on this sturdy see-saw. 4" x 6" Main Beam with 4" x 4" Supports. Available in Pine, Pine with Amber Sealant, or Redwood with Redwood Sealant. Unit Dimensions: 8' x 20" x 20"H.





3 Children's Picnic Table with Shade Umbrella

Pre-sanded, smooth-edged lumber for your child's safety. Simple construction in 5 easy steps. All hardware included. Available in Amber Stained Cedar only. Dimensions 48"W x 48" L x 24"H.



4 Play-Zee-Bo™

Dimensions of finished size: 60-5/8" wide x 64" high. Available in Cedar only. Depth of sandbox: 7".



5 Covered Sandbox

This covered sandbox can be purchased alone or as an accessory to any swing set. Available in Pine, Pine with Amber Sealant, or Redwood with Redwood Sealant. Dimensions: 5' x 5' x 60"H. *sandbox cover included.

Free Standing Additions



1 Free Standing Tire Swing Beam

A perfect addition to any yard.
Includes 360° Turbo Tire Swing.
8'W x 5 ½'H x 7'D.



2 Pine Swing and Frame

Grandma's favorite for watching the grandchildren. (not to mention getting cozy with grandpa!) Available in Pre-preserved Pine only. Swing and frame dimensions: 6' wide x 5' tall. Swing Dimensions 5' wide. These components can be ordered separately.



3 Free Standing Swing Frame

Available in Pine, Pine with Amber Sealant, or Redwood with Redwood Sealant. Unit dimensions: 12'L x 9'W x 7' H.
* 4" x 6" Main Beam with 4" x 4" Legs and Supports.
* 3 Swing Positions.

Swing Set Add Ons



- 1 **Clatter Bridge and Connecting Tower ***
- 2 **Built-In Picnic Table ***
- 3 **Deluxe Rope Ladder ***

- 4 **Deep Sandbox Upgrade ***
Includes additional sandbox boards and corner seats.
- 5 **Lower Floors and 1/2 Walls ***
- 6 **Deluxe Climbing Ramp *** for 5' Decks Only

* Available for Lifetime Play Systems Only.

Swing Set Add Ons



1 **Tire Swing Beam** * (Attaches to Most Forts)

2 **Monkey Bars** *

Adjustable height allows you to choose either 6'6" or 7'6" playing height.

3 **Rock Climbing Wall** *

Available for 5', 6' and 7' deck heights.

4 **Flower Box**

5 **Tic Tac Toe Panel**

A classic favorite.

* Available for Lifetime Play Systems Only.

Swing Set Accessories



- 1 4 Chain Rubber Tire Swing**
Your choice of yellow, green, or blue chain with black rubber tire.
Replaces swing position.
- 2 360° Turbo Tire Swing**
Mix and match with your choice of yellow, green, or blue tire and chain.
- 3 Hanging Punching Bag**
4'6" tall with a 10 1/2" diameter .
Available in red, yellow, green, or blue.
- 4 Trapeze Accessory Arm**
Available in pine, pine with amber sealant, or redwood with redwood sealant. Great for punching bags too!

Custom Color Accessories

Our custom made color-coordinated accessories and super slides can be mixed and matched.

You can mix and match our swing belts, plastisol coated chains, trapeze bars with handles, tire swings and handles to your liking. Ready to Assemble units excluded.

Custom Color Accessories Chart



Yellow



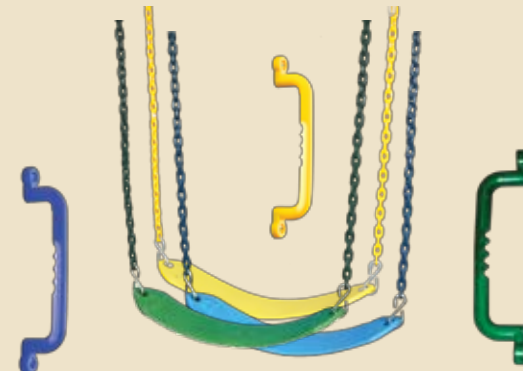
Blue



Green



Red



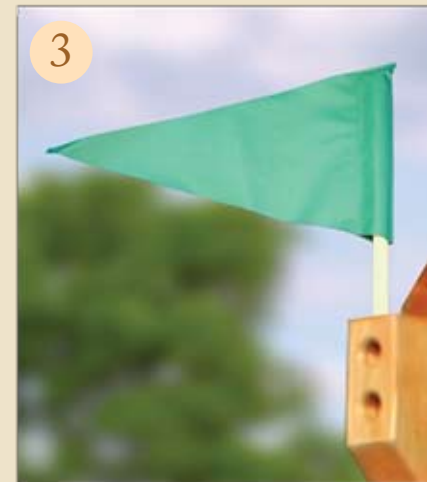
Swing Set Accessories



1 Periscope
Available in yellow, green, or blue.



2 Jumbo Binoculars
Available in green only.



3 Flag Kits
Available in red, yellow, green, or blue.



4 Telescope
Available in yellow, green, or blue.



5 Steering Wheel
Available in yellow, green, or blue.

6 Ships Wheel
Available in green only.



7



8

7 Glider Swing
Available in green only.

8 Disc Swing
Available in yellow or green.
12" Diameter Disc / 10' Rope.



9



10

9 Full Toddler Bucket Swing
Available in yellow, green, or blue.

10 Half Toddler Bucket Swing
Available in yellow, green, or blue.



11

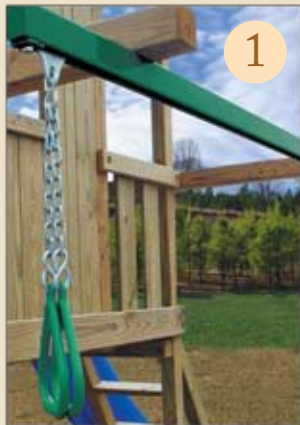
11 Heavy Duty Toddler Bucket Swing
Solid design. Available in green with yellow powder coated chain only.



12

12 Buoy Ball
Available in red, yellow, green, or blue.

Swing Set Accessories



1 Track Line

Track available in green only. Handle available in yellow, green, or blue. Comes with wood supports.

2 Sandbox Cover

Keeps out the leaves and debris. Cats too!

3 Personalized Name Boards

4 Protective Rubber Mats

Available in brick or green.
Sizes: 2' x 2' x 1" and 2' x 4' x 1".

5 Pine Adult Babysitter Swing

This will be mom's favorite spot!

6 Metal Dinner Bell

7 Infant Swing

Available in green with yellow bar as seen above.



8 Safety Bumper Pad
Available in green or blue.

9 Fireman's Pole
5' and 6' Deck height only.

10 Treeclimber
5' and 6' Deck height only.

11 Corkscrew Climber
5' and 6' Deck height only.

12 Arch Climber
5' Deck height only.

Custom Tarps



Looking for a custom tarp? PlayNation can help!

We can make any size to your specifications. You can choose a solid color, multi-color stripes, or simple patterns in any size you need.

Colors offered are red, yellow, green, dark green, blue, tan, as well as camouflage.

Custom tarps are quoted before ordering to ensure that you are receiving what you need, at the right price.

Please provide your dealer with the appropriate dimensions, color and/or pattern as well as whether you need snaps or grommets.

Call your local dealer today for a quote.



Yellow



Red



Green



Dark Green



Camouflage



Tan



Blue



Slides

1 **Super Tube Slide™**

for 7' Deck Heights
24" Diameter
UV Protection Guaranteed
One Piece Top Section
No Additional Support Needed
Commercial Grade
*Lifetime Warranty

2 **Radical Ride Tube Slide™**

for 7' Deck Heights
24" Diameter
Vacuum Formed Polyethylene Construction

3 **Radical Ride 5 Tube Slide™**

for 5' Deck Heights
Vacuum Formed Polyethylene Construction
24" Diameter. Available in Green Only.

4 **Super Wave Scoop Slide™**

for 5' Deck Heights
Heavy Duty Double Wall Construction
Commercial Grade
UV Protection Guaranteed
Solid Base No Wood Frame Required
*Lifetime Warranty

5 **Super Scoop Slide™**

for 5', 6', and 7' Deck Heights
Heavy Duty Double Wall Construction
Commercial Grade
UV Protection Guaranteed
Solid Base No Wood Frame Required
*Lifetime Warranty

6 **Extreme Wave Slide™**

for 5' Deck Heights
Vacuum Formed Polyethylene Construction
Wide Slide Bed

7 **Wave Slide™**

for 5' Deck Heights
High Side Walls Keeps Legs and Body In
Thick Rails and Reinforced Bulkheads

* Lifetime warranty. See warranty for complete details.



Custom Color Slides Chart



Yellow



Blue



Green

Most slides are available in Yellow, Blue, or Green.



Manufacturer's Limited Warranty

PlayNation Play Systems, Inc. warrants its Enchanted™, Dreamer™, and Majestic™ series of swing sets to be free from defects in workmanship and materials, under normal use and conditions, for the lifetime of the product for structural wood components and for two years for all other components (e.g., hardware, plastics, tarps, rope ladder, etc.) except PlayNation's Super Scoop Slides™ and Super Tube Spiral Slides™.

PlayNation warrants its Super Scoop Slides™ and Super Tube Spiral Slides™ to be free from defects in workmanship and materials, under normal use and conditions, for the lifetime of the product.

PlayNation warrants its Mystic™ series swing sets to be free from defects in workmanship and materials, under normal use and conditions, for a period of 10 years for structural wood components and for one year for all other components (e.g., hardware, plastics, tarps, rope ladder, etc.).

Cosmetic defects or natural defects of wood (e.g., warping, seasonal checking or cracking, knots, or knot holes, etc.) that do not affect the structural integrity of the product are not covered by this warranty. Defects that develop because the product is exposed to extreme climate conditions, excessive water exposure, lumber that has been damaged by wood boring bees, or defects that develop as a result of faulty or improper installation of the product, are not covered by this warranty. Fading, discoloration, or molding of any wood part or accessory, cracks in plastic components, surface rust on hardware, and chips on powder coated materials are not considered defects in material as long as they do not affect the functionality or structural integrity of the part or component.

It is the owner's responsibility to properly maintain the swing set. Instructions for proper maintenance can be found on PlayNation's website. Imperfections or defects that develop because of a failure to properly maintain the swing set are not covered by this warranty.

PlayNation will repair or, at its discretion, replace any part within the stated warranty period that is defective in workmanship or materials. This decision is subject to verification of the defect, which, at PlayNation's discretion, may be accomplished by submitting photographs or by delivery of the defective part to PlayNation. Any warranty claim must include proof of purchase, including the date of purchase. In addition, within the first 30 days from the date of purchase, PlayNation will replace any parts discovered to be missing from or damaged in the original packaging.

This warranty is valid only if the product is used for the purpose for which it was designed and installed at a residential, single-family dwelling. This warranty is void if the product is used in a commercial or institutional setting. This warranty does not cover (a) products that have been damaged by acts of God, negligence, misuse, or accident, or that have been modified or repaired by unauthorized persons; (b) the cost of labor; or (c) the cost of shipping the product, any part, or any replacement product or part.

PLAYNATION DISCLAIMS ALL OTHER REPRESENTATIONS AND WARRANTIES OF ANY KIND, EXPRESS, IMPLIED, STATUTORY, OR OTHERWISE, INCLUDING THE IMPLIED WARRANTIES OF MERCHANTABILITY AND FITNESS FOR A PARTICULAR PURPOSE. PLAYNATION WILL NOT BE LIABLE FOR ANY INCIDENTAL OR CONSEQUENTIAL DAMAGES. This warranty is valid only in the United States of America, is non-transferrable and does not extend to the owners of the product subsequent to the original purchaser. Some states do not allow limitations on implied warranties or exclusion of incidental or consequential damages, so these restrictions may not be applicable to you. This warranty gives you specific legal rights. You may also have other rights which vary from state to state.

Performance Features

Species Performance Comparison for Outdoor Deck and Swing Set Applications

COMPARE	PRESERVED SOUTHERN PINE	REDWOOD PLAYSETS	
		CALIFORNIA REDWOOD	WESTERN RED CEDAR
Durability, above ground	Excellent	Excellent ²	Good ¹
Durability, ground contact	Excellent	Good ²	Fair ¹
Bending strength	High	Intermediate	Low
Stiffness	High	Intermediate	Low
Hardness ³	High	Intermediate	Low
Nailholding capacity	High	Intermediate	Low
Dry weight	High	Low	Low
Workability	Intermediate	High	High
Paint holding	Low	High	High
Freedom from shrinking	Intermediate	High	High
Freedom from warping	Intermediate	High	High
Freedom from pitch (resin)	Low	High	High
Impact resistance ⁴ (inches)	30	15	17
Density (pcf)	35.6	24.5	22.4
Modulus of elasticity (psi)	1.79	1.1	1.11
Specific gravity ⁵	0.51	0.35	0.32
Modulus of rupture (psi)	12,800	7,900	7,500
Price	Low/Moderate	High	Moderate
Availability	Excellent	Limited	Good
Color when new	Light Tan	Light to Dark Red	Tan
Color weathered	Gray	Gray	Gray

¹Decay resistance applicable for heartwood cedar only (subject to availability)

²Decay resistance applicable for heartwood "old growth" redwood only (subject to availability)

³Superior hardness = better resistance to indentation

⁴Impact resistance = height of drop that causes complete failure using a 50 lb. hammer

⁵Higher specific gravity = better fastener holding ability

Compiled by the Southern Pine Council from the following source data:

Wood Handbook: Wood as an Engineering Material; 1999; USDA Forest Products Laboratory
How to Buy Construction Lumber; University of Wisconsin - Extension/Madison; September, 1979
Price/availability data; Wood magazine survey, Better Homes & Gardens, June/July 2002
USDA Forest Products Laboratory; Madison, WI

Planet Playgrounds™

Planet Playgrounds™ For your commercial playground needs

Planet Playgrounds™ is our commercial playground company that manufactures affordable and attractive play equipment to fit the needs of every customer. At Planet Playgrounds™ you can create custom play equipment that meets the unique needs of your age group, budget and site.

With Planet Playgrounds™ you have the option to choose single-unit play equipment or make a mega-unit by adding several smaller units together. Planet Playgrounds™ can help make your new commercial playground equipment as diverse as the children that will enjoy it.

Planet Playgrounds™ has earned the confidence of thousands of customers nationwide in the playground industry. Our reputation has been built on our products being innovative, functional, affordable, and attractive. We modify play structures to fit your needs and budget.

Planet Playgrounds™ customer base extends to apartment complexes, subdivisions (builders), day cares, churches, and parks. Replacement parts are also available for renovations to existing equipment. At Planet Playgrounds™ our goal is to "Make the world a better place to play."

See your PlayNation dealer for more information or visit us online at www.PlanetPlaygrounds.com





